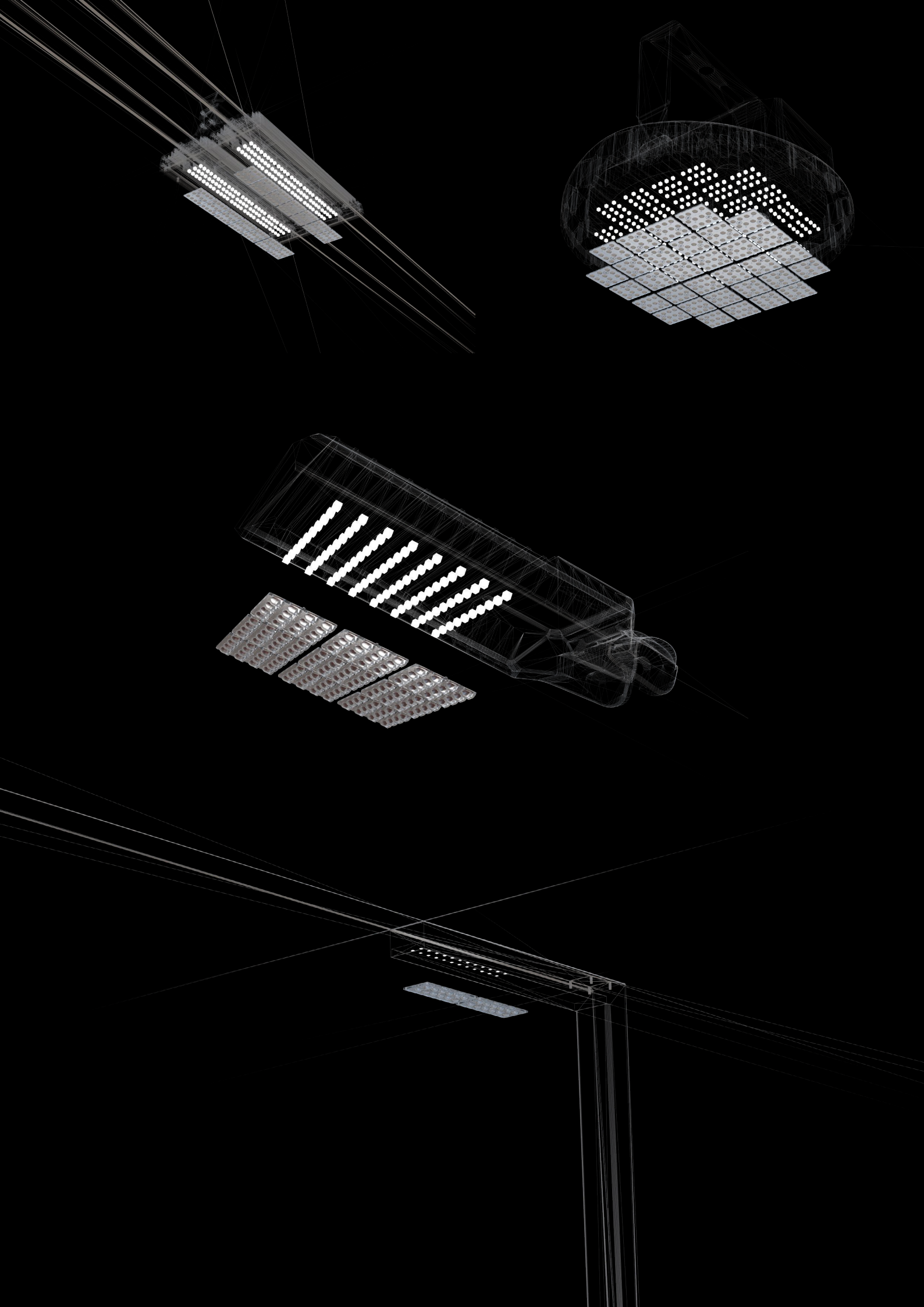




EVOOPTIC
LIGHTING SOLUTIONS

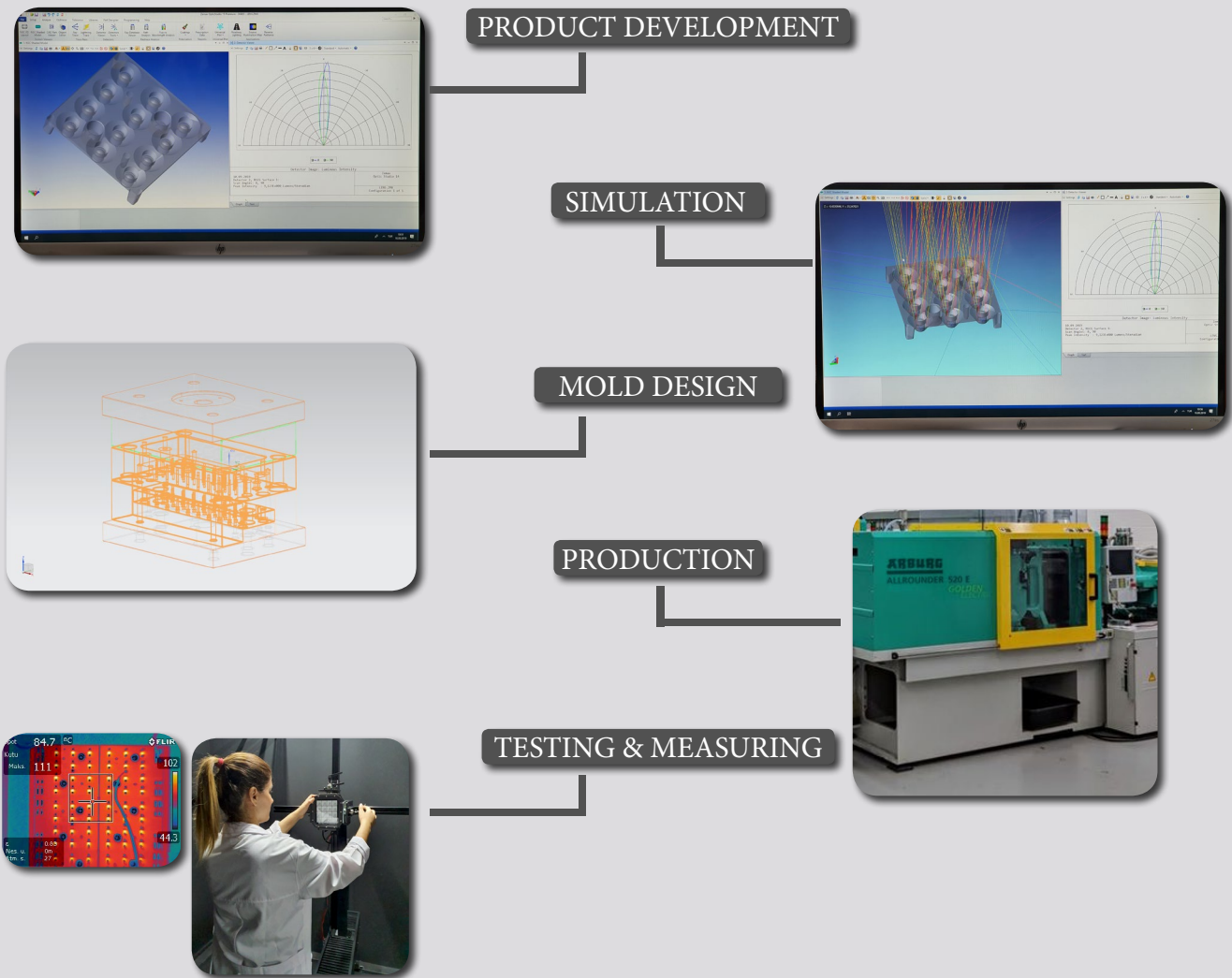




Our aim as EMGE A.Ş. is to reach our common goals with our stakeholders quickly and efficiently. For this purpose, we fully accompany your projects from the initial concept to optical design and mass production.

We develop bespoke solutions according to your needs and demands with our experienced engineers, advanced software and machinery infrastructure. By creating detailed photo-metric analyzes, we evaluate the applicability and complexity of your demands and then offer multiple optical concept suggestions with all the pros and cons in terms of production costs. We perform all necessary photo metric measurements in our light testing laboratory.

As of 1975, EMGE A.Ş. has been producing plastic injection molds and manufacturing plastic end products with state of the art plastic injection molding processes with years of experience and precision.



Optical Design > Optical Simulation > production process design > Prototype production > Optimization > Sample Approval > Mass production



✓ 80°

✓ Office Lighting

✓ %93 Efficiency

✓ 280*40 mm

✓ 3030 Mid-Power

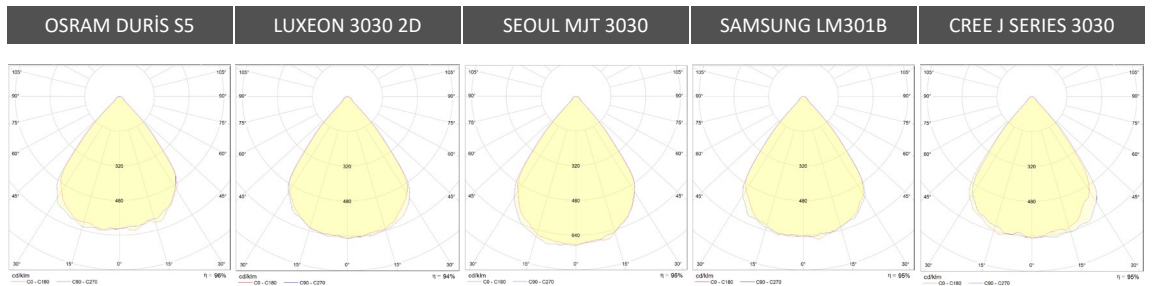


MADE IN TÜRKİYE

PRODUCT IMAGES MAY DIFFER

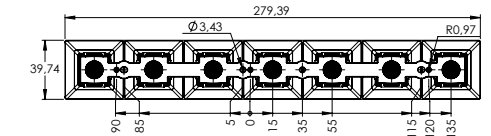
UGR < 19

PHOTOMETRIC DATA



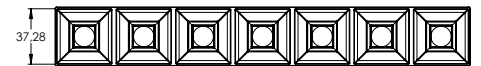
LENS TECHNICAL SPECIFICATIONS

Product Code	PM080-MI17-SCH
Dimension (mm) W x L x H	280x40x20
Material	PMMA
Fastening	Screw
Beam Angle	80°
Type	7 in 1
Optical Efficiency	%93
Rohs Compliant	Yes



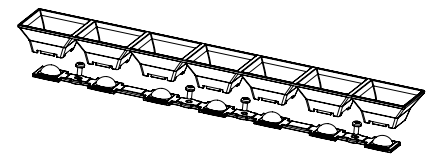
REFLECTOR TECHNICAL SPECIFICATIONS

White, Matt	PC17-CLWM
Black, Matt	PC17-CLBM
White, Gloss	PC17-CLWG
Black, Gloss	PC17-CLBG
Material	PC



PACKING SPECIFICATIONS

Box Size (mm) W x L x H	370x300x225
Box Weight	8,7 Kg
Box Quantity	150 pcs



INSTRUCTIONS FOR USE & MAINTENANCE

Working Temperature : -40° C ~ +100° C
 Storage Temperature : -40° C ~ +100° C
 Please handle or install lenses with wearing gloves.
 Skin oils may damage lens or its optical characteristic.
 Never use any commercial cleaning solvents on lenses , like alcohol.
 If necessary, clean lenses wiht mild soap, water and soft cloth.



✓ 18°

✓ Large Area Lighting

✓ %93 Efficiency

✓ 50*50 mm

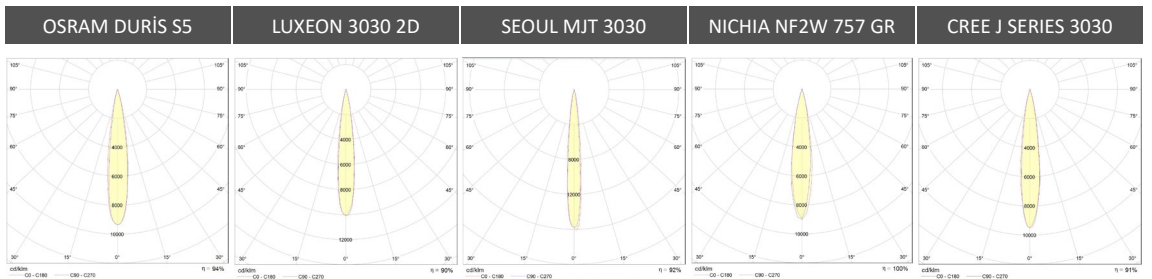
✓ 3030 Mid-Power

MADE IN TÜRKİYE



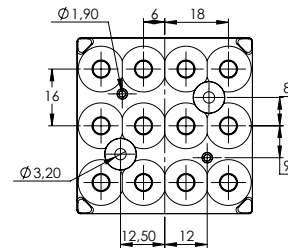
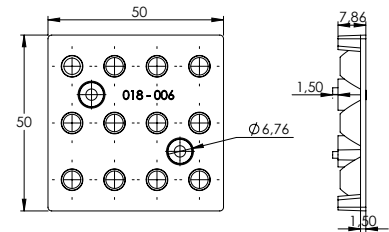
PRODUCT IMAGES MAY DIFFER

PHOTOMETRIC DATA



TECHNICAL SPECIFICATIONS

Product Code	PM018-MI43-SCH
Dimension (mm) W x L x H	50x50x7,9
Material	PMMA
Fastening	Screw
Beam Angle	18°
Type	12 in 1
Optical Efficiency	%93
Box Size (mm) W x L x H	370x300x225
Box Weight	6,5 Kg
Box Quantity	600 pcs
Rohs Compliant	Yes



INSTRUCTIONS FOR USE & MAINTENANCE

Working Temperature : $-40^\circ\text{C} \sim +100^\circ\text{C}$
 Storage Temperature : $-40^\circ\text{C} \sim +100^\circ\text{C}$
 Please handle or install lenses with wearing gloves.
 Skin oils may damage lens or its optical characteristic.
 Never use any commercial cleaning solvents on lenses , like alcohol.
 If necessary, clean lenses with mild soap, water and soft cloth.



✓ 40°

✓ High Bay Lighting

✓ %93 Efficiency

✓ 50*50 mm

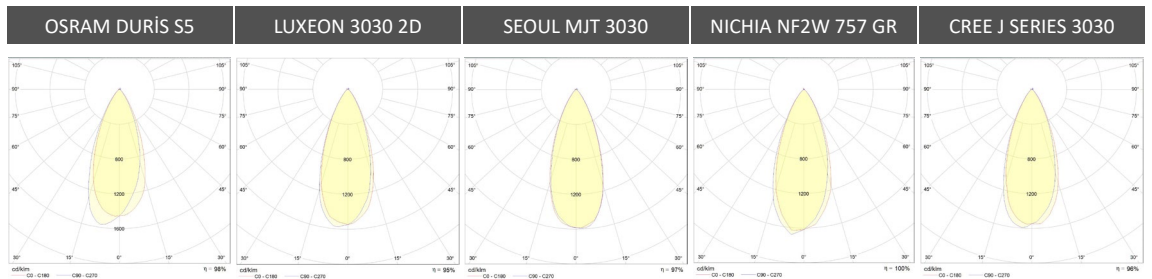
✓ 3030 Mid-Power

MADE IN TÜRKİYE

PRODUCT IMAGES MAY DIFFER

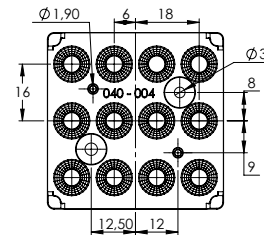
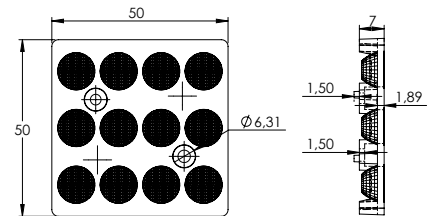


PHOTOMETRIC DATA



TECHNICAL SPECIFICATIONS

Product Code	PM040-MI43-SCH
Dimension (mm) W x L x H	50x50x7
Material	PMMA
Fastening	Screw
Beam Angle	40°
Type	12 in 1
Optical Efficiency	%93
Box Size (mm) W x L x H	370x300x225
Box Weight	7,2 Kg
Box Quantity	660 pcs
Rohs Compliant	Yes



INSTRUCTIONS FOR USE & MAINTENANCE

Working Temperature : $-40^\circ\text{C} \sim +100^\circ\text{C}$
 Storage Temperature : $-40^\circ\text{C} \sim +100^\circ\text{C}$
 Please handle or install lenses with wearing gloves.
 Skin oils may damage lens or its optical characteristic.
 Never use any commercial cleaning solvents on lenses , like alcohol.
 If necessary, clean lenses with mild soap, water and soft cloth.



✓ 60°

✓ High Bay Lighting

✓ %93 Efficiency

✓ 50*50 mm

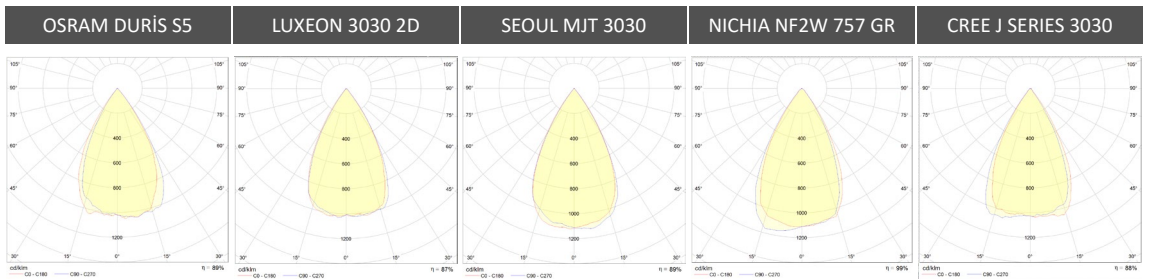
✓ 3030 Mid-Power



MADE IN TÜRKİYE

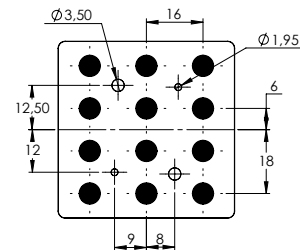
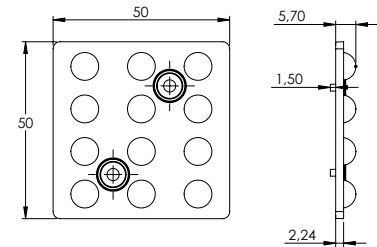
PRODUCT IMAGES MAY DIFFER

PHOTOMETRIC DATA



TECHNICAL SPECIFICATIONS

Product Code	PM060-MI43-SCH
Dimension (mm) W x L x H	50x50x5
Material	PMMA
Fastening	Screw
Beam Angle	60°
Type	12 in 1
Optical Efficiency	%93
Box Size (mm) W x L x H	370x300x225
Box Weight	7,8 Kg
Box Quantity	840 pcs
Rohs Compliant	Yes



INSTRUCTIONS FOR USE & MAINTENANCE

Working Temperature : -40° C ~ +100° C
 Storage Temperature : -40° C ~ +100° C
 Please handle or install lenses with wearing gloves.
 Skin oils may damage lens or its optical characteristic.
 Never use any commercial cleaning solvents on lenses , like alcohol.
 If necessary, clean lenses with mild soap, water and soft cloth.



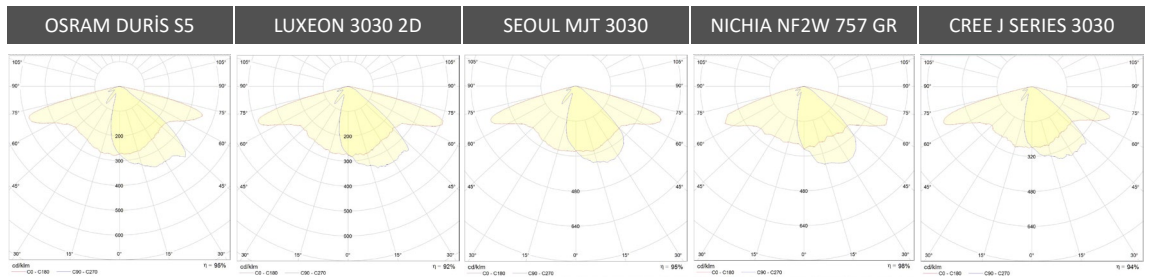
- ✓ **Medium , Type II**
- ✓ **Street Lighting**
- ✓ **%93 Efficiency**
- ✓ **50*50 mm**
- ✓ **3030 Mid-Power**



MADE IN TÜRKİYE

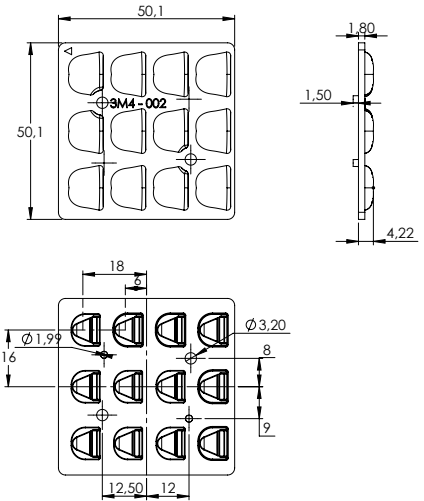
PRODUCT IMAGES MAY DIFFER

PHOTOMETRIC DATA



TECHNICAL SPECIFICATIONS

Product Code	PMM2/M3-MI43-SCH
Dimension (mm) W x L x H	50x50x4,2
Material	PMMA
Fastening	Screw
Beam Angle	143° - 62° Medium, Type II
Type	12 in 1
Optical Efficiency	%93
Box Size (mm) W x L x H	370x300x225
Box Weight	7,9 Kg
Box Quantity	1050 pcs
Rohs Complaint	Yes



INSTRUCTIONS FOR USE & MAINTENANCE

Working Temperature : -40° C ~ +100° C
 Storage Temperature : -40° C ~ +100° C
 Please handle or install lenses with wearing gloves.
 Skin oils may damage lens or its optical characteristic.
 Never use any commercial cleaning solvents on lenses , like alcohol.
 If necessary, clean lenses with mild soap, water and soft cloth.



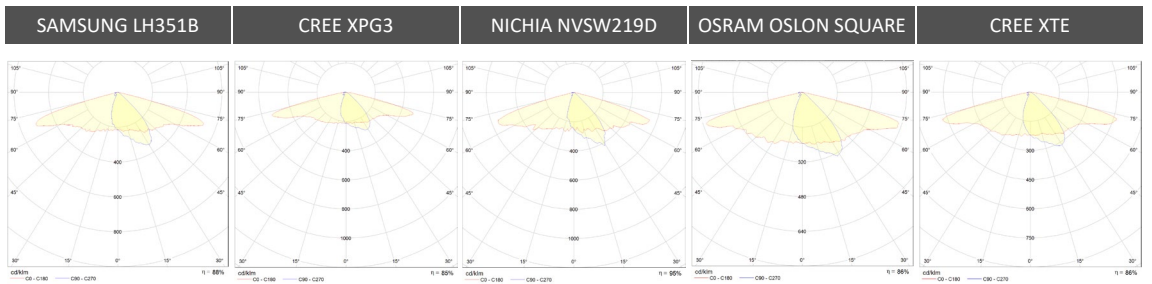
- ✓ **Medium , Type II**
- ✓ **Street Lighting**
- ✓ **%93 Efficiency**
- ✓ **50*50 mm**
- ✓ **3535 High-Power**



MADE IN TÜRKİYE

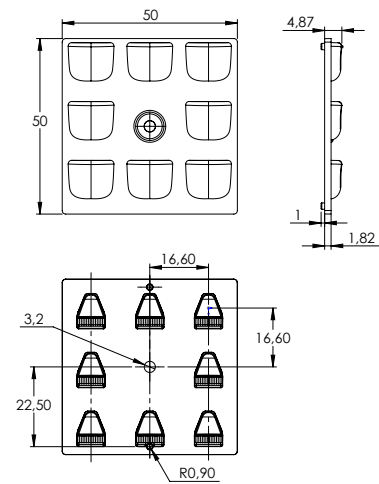
PRODUCT IMAGES MAY DIFFER

PHOTOMETRIC DATA



TECHNICAL SPECIFICATIONS

Product Code	PMM2/M3-HI18-SCH
Dimension (mm) W x L x H	50x50x5
Material	PMMA
Fastening	Screw
Beam Angle	146° - 54° Medium, Type II
Type	8 in 1
Optical Efficiency	%93
Box Size (mm) W x L x H	370x300x225
Box Weight	7,5 Kg
Box Quantity	900 pcs
Rohs Complaint	Yes



INSTRUCTIONS FOR USE & MAINTENANCE

Working Temperature : -40° C ~ +100° C
 Storage Temperature : -40° C ~ +100° C
 Please handle or install lenses with wearing gloves.
 Skin oils may damage lens or its optical characteristic.
 Never use any commercial cleaning solvents on lenses , like alcohol.
 If necessary, clean lenses with mild soap, water and soft cloth.



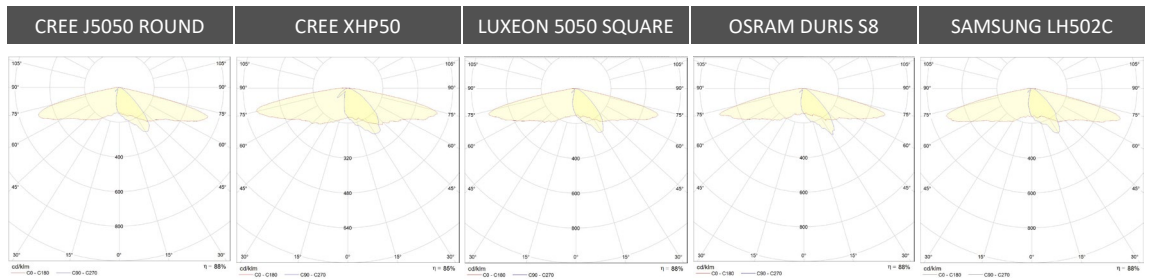
- ✓ **Medium , Type II**
- ✓ **Street Lighting**
- ✓ **%93 Efficiency**
- ✓ **50*50 mm**
- ✓ **5050 High-Power**



MADE IN TÜRKİYE

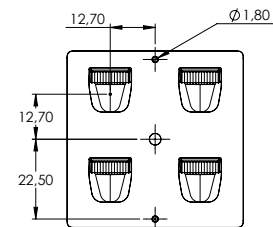
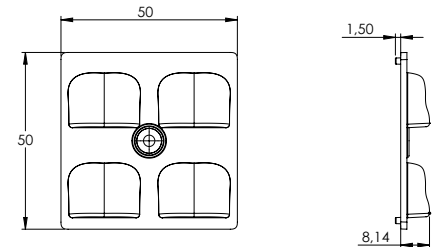
PRODUCT IMAGES MAY DIFFER

PHOTOMETRIC DATA



TECHNICAL SPECIFICATIONS

Product Code	PMM2/M3-HI5022-SCH099
Dimension (mm) W x L x H	50x50x8,1
Material	PMMA
Fastening	Screw
Beam Angle	Medium, Type II
Type	4 in 1
Optical Efficiency	%93
Box Size (mm) W x L x H	370x300x225
Box Weight	7 Kg
Box Quantity	600 pcs
Rohs Compliant	Yes



INSTRUCTIONS FOR USE & MAINTENANCE

Working Temperature : -40° C ~ +100° C
 Storage Temperature : -40° C ~ +100° C
 Please handle or install lenses with wearing gloves.
 Skin oils may damage lens or its optical characteristic.
 Never use any commercial cleaning solvents on lenses , like alcohol.
 If necessary, clean lenses with mild soap, water and soft cloth.



✓ 90°

✓ High Bay Lighting

✓ %93 Efficiency

✓ 50*50 mm

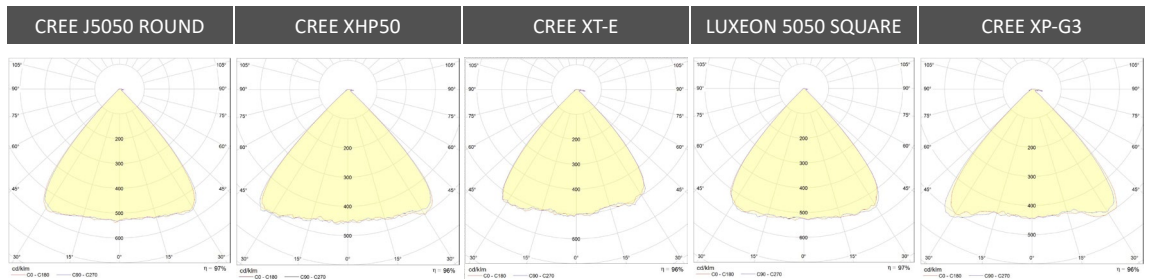
✓ 5050 High-Power



MADE IN TÜRKİYE

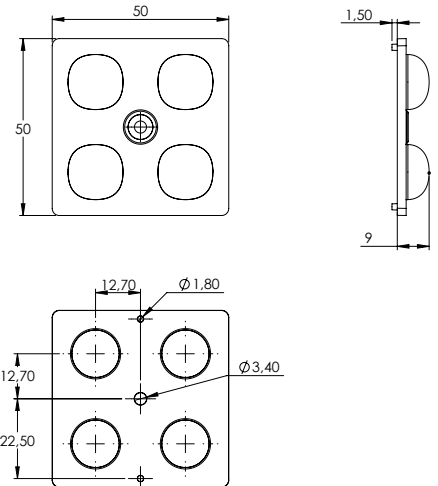
PRODUCT IMAGES MAY DIFFER

PHOTOMETRIC DATA



TECHNICAL SPECIFICATIONS

Product Code	PMM090-HI5022-SCH099
Dimension (mm) W x L x H	50x50x9
Material	PMMA
Fastening	Screw
Beam Angle	90°
Type	4 in 1
Optical Efficiency	%93
Box Size (mm) W x L x H	370x300x225
Box Weight	Kg
Box Quantity	pcs
Rohs Compliant	Yes



INSTRUCTIONS FOR USE & MAINTENANCE

Working Temperature : -40° C ~ +100° C
 Storage Temperature : -40° C ~ +100° C
 Please handle or install lenses with wearing gloves.
 Skin oils may damage lens or its optical characteristic.
 Never use any commercial cleaning solvents on lenses , like alcohol.
 If necessary, clean lenses with mild soap, water and soft cloth.



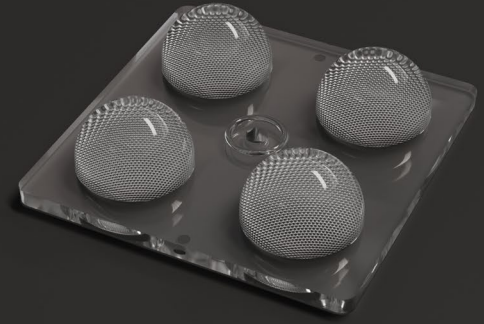
✓ 60°

✓ **High Bay Lighting**

✓ **%93 Efficiency**

✓ **50*50 mm**

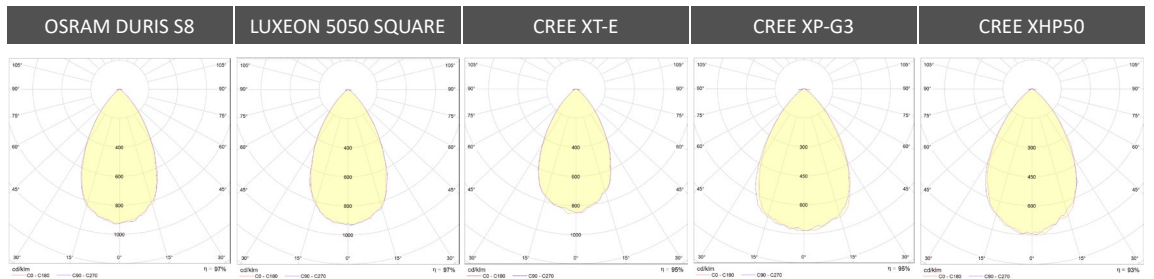
✓ **5050 High-Power**



MADE IN TÜRKİYE

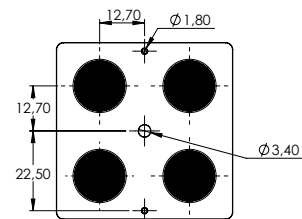
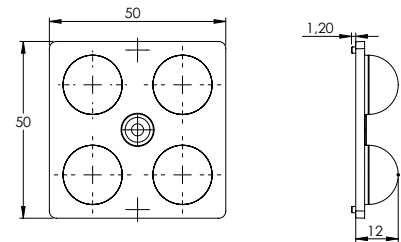
PRODUCT IMAGES MAY DIFFER

PHOTOMETRIC DATA



TECHNICAL SPECIFICATIONS

Product Code	PMM060-HI5022-SCH099
Dimension (mm) W x L x H	50x50x12
Material	PMMA
Fastening	Screw
Beam Angle	60°
Type	4 in 1
Optical Efficiency	%93
Box Size (mm) W x L x H	370x300x225
Box Weight	6,8 Kg
Box Quantity	480 pcs
Rohs Complaint	Yes



INSTRUCTIONS FOR USE & MAINTENANCE

Working Temperature : -40° C ~ +100° C
 Storage Temperature : -40° C ~ +100° C
 Please handle or install lenses with wearing gloves.
 Skin oils may damage lens or its optical characteristic.
 Never use any commercial cleaning solvents on lenses , like alcohol.
 If necessary, clean lenses wiht mild soap, water and soft cloth.

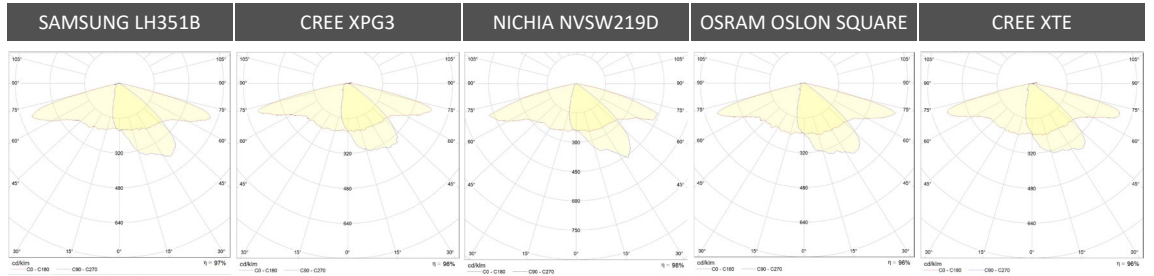
- ✓ **Medium , Type II**
- ✓ **Street Lighting**
- ✓ **%93 Efficiency**
- ✓ **50*50 mm**
- ✓ **3535 High-Power**



MADE IN TÜRKİYE

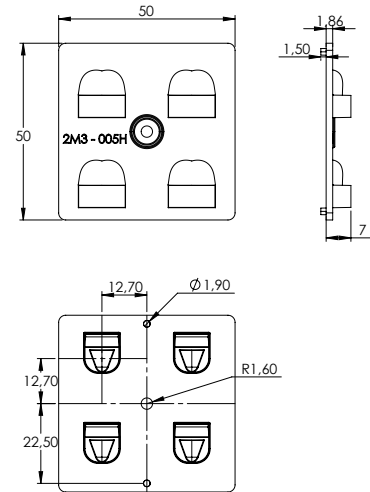
PRODUCT IMAGES MAY DIFFER

PHOTOMETRIC DATA



TECHNICAL SPECIFICATIONS

Product Code	PMM2/M3-HI22-SCH
Dimension (mm) W x L x H	50x50x7
Material	PMMA
Fastening	Screw
Beam Angle	146° - 54° Medium, Type II
Type	4 in 1
Optical Efficiency	%93
Box Size (mm) W x L x H	370x300x225
Box Weight	6,2 Kg
Box Quantity	660 pcs
Rohs Compliant	Yes



INSTRUCTIONS FOR USE & MAINTENANCE

Working Temperature : -40° C ~ +100° C
 Storage Temperature : -40° C ~ +100° C
 Please handle or install lenses with wearing gloves.
 Skin oils may damage lens or its optical characteristic.
 Never use any commercial cleaning solvents on lenses , like alcohol.
 If necessary, clean lenses with mild soap, water and soft cloth.



✓ 90°

✓ High Bay Lighting

✓ %93 Efficiency

✓ 50*50 mm

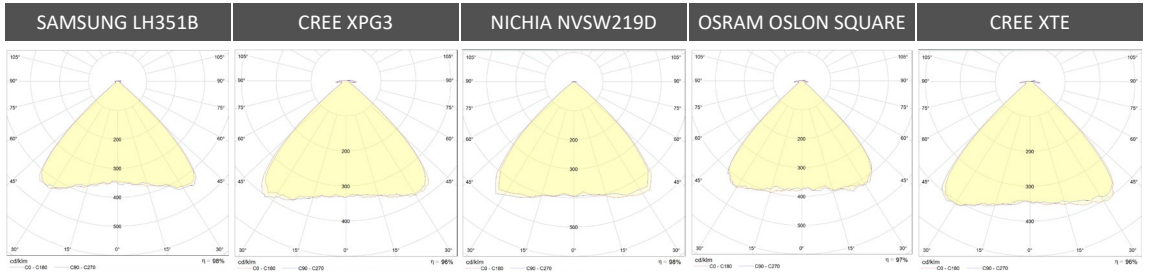
✓ 3535 High-Power



MADE IN TÜRKİYE

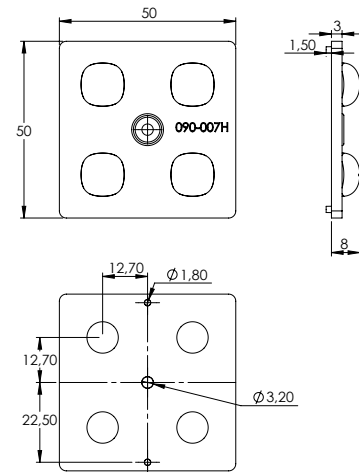
PRODUCT IMAGES MAY DIFFER

PHOTOMETRIC DATA



TECHNICAL SPECIFICATIONS

Product Code	PM090-HI22-SCH
Dimension (mm) W x L x H	50x50x8
Material	PMMA
Fastening	Screw
Beam Angle	90°
Type	4 in 1
Optical Efficiency	%93
Box Size (mm) W x L x H	370x300x225
Box Weight	6,5 Kg
Box Quantity	600 pcs
Rohs Compliant	Yes



INSTRUCTIONS FOR USE & MAINTENANCE

Working Temperature : -40° C ~ +100° C
 Storage Temperature : -40° C ~ +100° C
 Please handle or install lenses with wearing gloves.
 Skin oils may damage lens or its optical characteristic.
 Never use any commercial cleaning solvents on lenses , like alcohol.
 If necessary, clean lenses with mild soap, water and soft cloth.



✓ 60°

✓ High Bay Lighting

✓ %93 Efficiency

✓ 50*50 mm

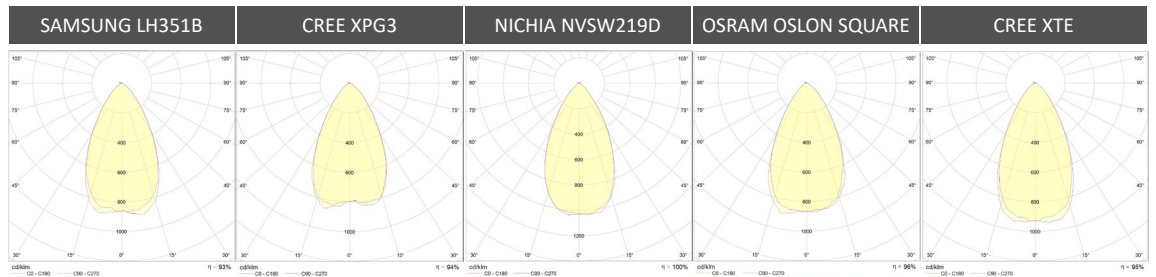
✓ 3535 High-Power

MADE IN TÜRKİYE



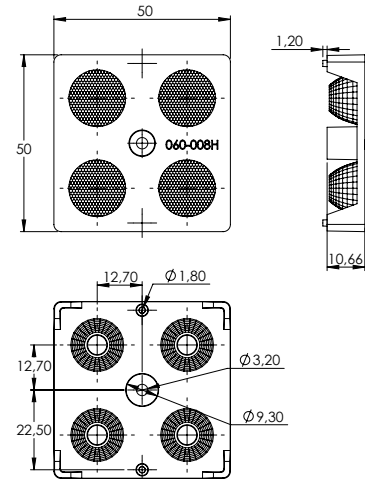
PRODUCT IMAGES MAY DIFFER

PHOTOMETRIC DATA



TECHNICAL SPECIFICATIONS

Product Code	PM060-HI22-SCH
Dimension (mm) W x L x H	50x50x10,6
Material	PMMA
Fastening	Screw
Beam Angle	60°
Type	4 in 1
Optical Efficiency	%93
Box Size (mm) W x L x H	370x300x225
Box Weight	6.1 Kg
Box Quantity	600 pcs
Rohs Compliant	Yes



INSTRUCTIONS FOR USE & MAINTENANCE

Working Temperature : -40° C ~ +100° C
 Storage Temperature : -40° C ~ +100° C
 Please handle or install lenses with wearing gloves.
 Skin oils may damage lens or its optical characteristic.
 Never use any commercial cleaning solvents on lenses , like alcohol.
 If necessary, clean lenses with mild soap, water and soft cloth.



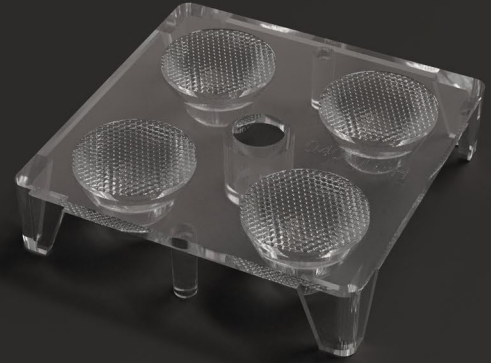
✓ 40°

✓ **High Bay Lighting**

✓ **%93 Efficiency**

✓ **50*50 mm**

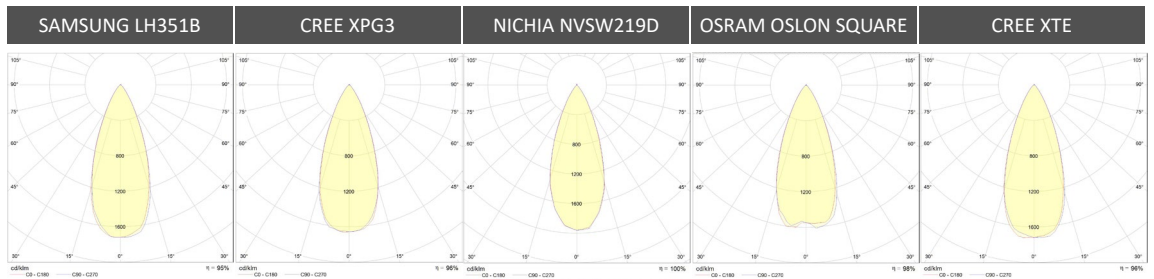
✓ **3535 High-Power**



MADE IN TÜRKİYE

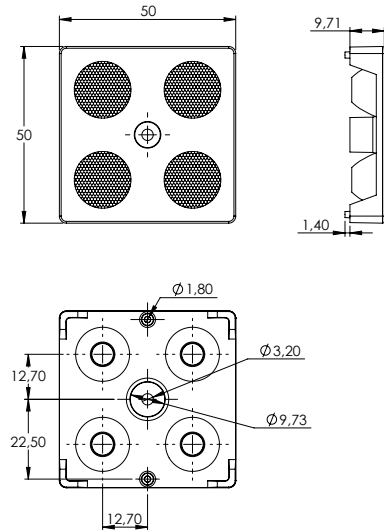
PRODUCT IMAGES MAY DIFFER

PHOTOMETRIC DATA



TECHNICAL SPECIFICATIONS

Product Code	PM040-HI22-SCH
Dimension (mm) W x L x H	50x50x11,4
Material	PMMA
Fastening	Screw
Beam Angle	40°
Type	4 in 1
Optical Efficiency	%93
Box Size (mm) W x L x H	370x300x225
Box Weight	6,4 Kg
Box Quantity	480 pcs
Rohs Compliant	Yes



INSTRUCTIONS FOR USE & MAINTENANCE

Working Temperature : -40° C ~ +100° C
 Storage Temperature : -40° C ~ +100° C
 Please handle or install lenses with wearing gloves.
 Skin oils may damage lens or its optical characteristic.
 Never use any commercial cleaning solvents on lenses , like alcohol.
 If necessary, clean lenses with mild soap, water and soft cloth.



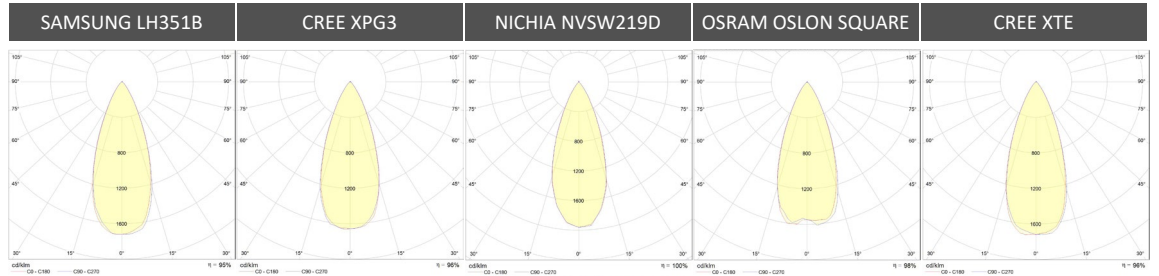
- ✓ **Medium , Type II**
- ✓ **Street Lighting**
- ✓ **%93 Efficiency**
- ✓ **16*16 mm**
- ✓ **3535 High-Power**



MADE IN TÜRKİYE

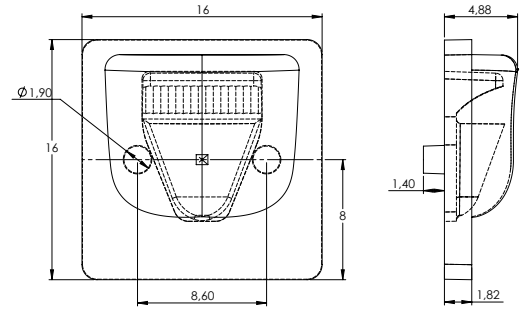
PRODUCT IMAGES MAY DIFFER

PHOTOMETRIC DATA



TECHNICAL SPECIFICATIONS

Product Code	PMASYM-HI99-PIH
Dimension (mm) W x L x H	16x16x4,88
Material	PMMA
Fastening	Pin, Glue
Beam Angle	Medium, Type II
Type	1
Optical Efficiency	%93
Box Size (mm) W x L x H	130X130X125
Box Weight	0,63 Kg
Box Quantity	750 pcs
Rohs Complaint	Yes



INSTRUCTIONS FOR USE & MAINTENANCE

Working Temperature : -40° C ~ +100° C
 Storage Temperature : -40° C ~ +100° C
 Please handle or install lenses with wearing gloves.
 Skin oils may damage lens or its optical characteristic.
 Never use any commercial cleaning solvents on lenses , like alcohol.
 If necessary, clean lenses with mild soap, water and soft cloth.



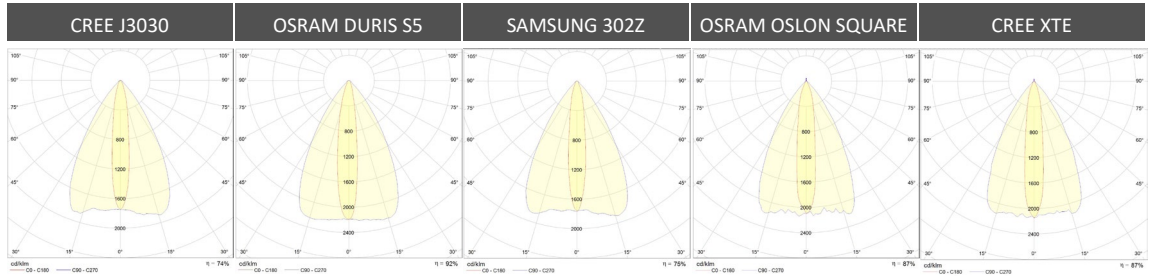
- ✓ 20° - 50°
- ✓ **Wallwasher**
- ✓ **%93 Efficiency**
- ✓ **18 mm Diameter**
- ✓ **3535 High-Power**



MADE IN TÜRKİYE

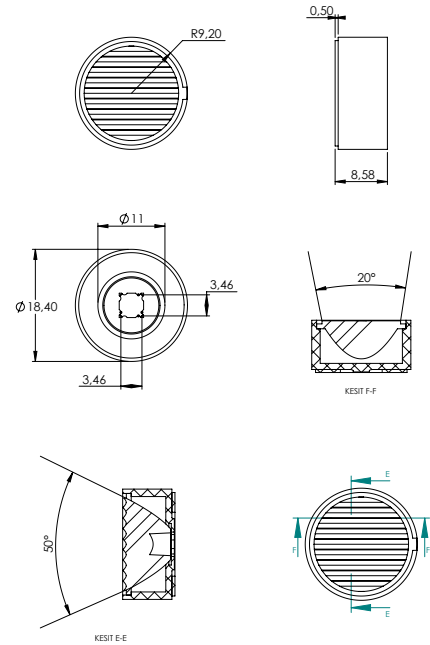
PRODUCT IMAGES MAY DIFFER

PHOTOMETRIC DATA



TECHNICAL SPECIFICATIONS

Product Code	PM2050-HI99-TAH
Dimension (mm) D x H	D18,5x8,5
Material	PMMA - ABS
Fastening	Tape
Beam Angle	20° - 50°
Type	1 in 1
Optical Efficiency	%93
Box Size (mm) W x L x H	130X130X125
Box Weight	0,6 Kg
Box Quantity	325 pcs
Rohs Compliant	Yes

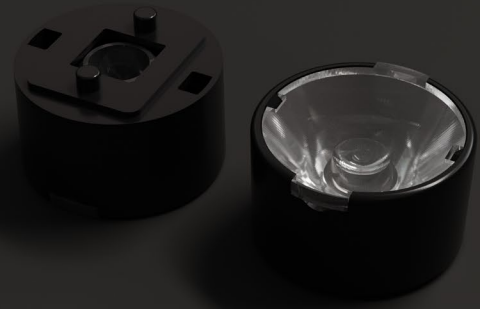


INSTRUCTIONS FOR USE & MAINTENANCE

Working Temperature : -40° C ~ +100° C
 Storage Temperature : -40° C ~ +100° C
 Please handle or install lenses with wearing gloves.
 Skin oils may damage lens or its optical characteristic.
 Never use any commercial cleaning solvents on lenses , like alcohol.
 If necessary, clean lenses wiht mild soap, water and soft cloth.



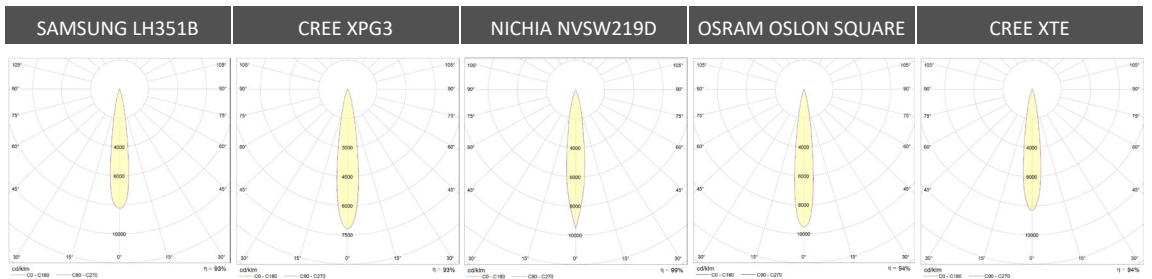
- ✓ 15°
- ✓ **Wallwasher**
- ✓ **%93 Efficiency**
- ✓ **16 mm Diameter**
- ✓ **3535 High-Power**



MADE IN TÜRKİYE

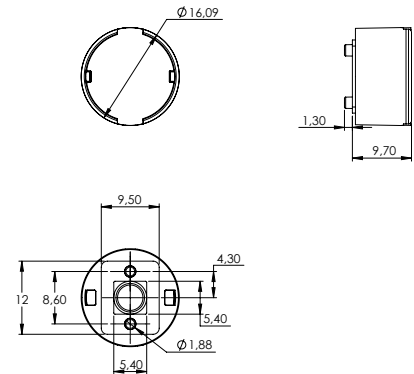
PRODUCT IMAGES MAY DIFFER

PHOTOMETRIC DATA



TECHNICAL SPECIFICATIONS

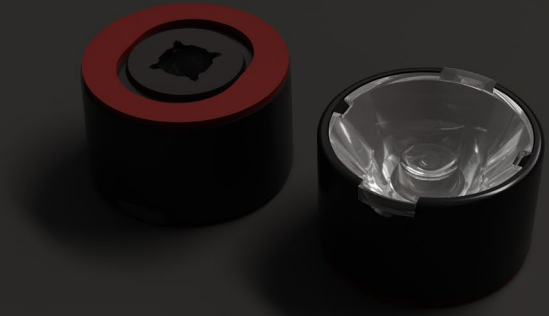
Product Code	PM015-HI99-PIH016
Dimension (mm) D x H	D16 x 9,8
Material	PMMA - ABS
Fastening	Pin - Glue
Beam Angle	15°
Type	1 in 1
Optical Efficiency	%93
Box Size (mm) W x L x H	130X130X125
Box Weight	0,6 Kg
Box Quantity	330 pcs
Rohs Compliant	Yes
LED Packages	3030, 3535, 5050



INSTRUCTIONS FOR USE & MAINTENANCE

Working Temperature : -40° C ~ +100° C
 Storage Temperature : -40° C ~ +100° C
 Please handle or install lenses with wearing gloves.
 Skin oils may damage lens or its optical characteristic.
 Never use any commercial cleaning solvents on lenses , like alcohol.
 If necessary, clean lenses with mild soap, water and soft cloth.

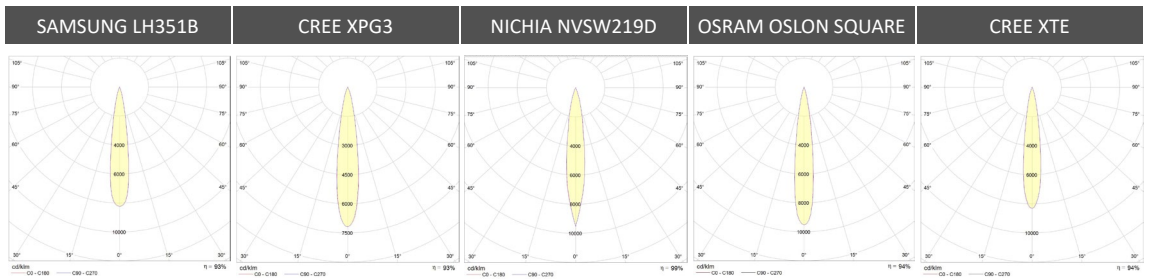
- ✓ 15°
- ✓ **Wallwasher**
- ✓ **%93 Efficiency**
- ✓ **16 mm Diameter**
- ✓ **3535 High-Power**



MADE IN TÜRKİYE

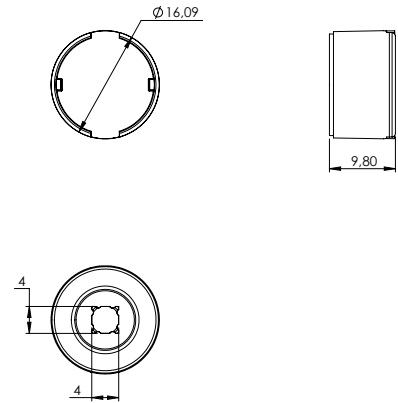
PRODUCT IMAGES MAY DIFFER

PHOTOMETRIC DATA



TECHNICAL SPECIFICATIONS

Product Code	PM015-HI99-TAH016
Dimension (mm) D x H	D16 x 9,8
Material	PMMA - ABS
Fastening	Tape
Beam Angle	15°
Type	1 in 1
Optical Efficiency	%93
Box Size (mm) W x L x H	130X130X125
Box Weight	0,6 Kg
Box Quantity	408 pcs
Rohs Compliant	Yes
LED Packages	3030, 3535



INSTRUCTIONS FOR USE & MAINTENANCE

Working Temperature : -40° C ~ +100° C
 Storage Temperature : -40° C ~ +100° C
 Please handle or install lenses with wearing gloves.
 Skin oils may damage lens or its optical characteristic.
 Never use any commercial cleaning solvents on lenses , like alcohol.
 If necessary, clean lenses with mild soap, water and soft cloth.

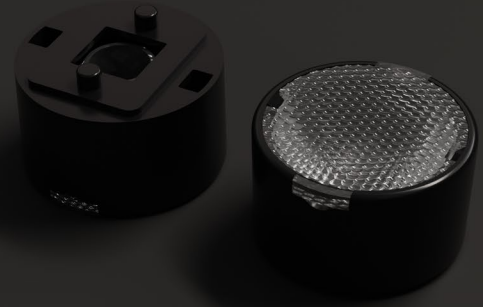
✓ 30°

✓ **Wallwasher**

✓ **%93 Efficiency**

✓ **16 mm Diameter**

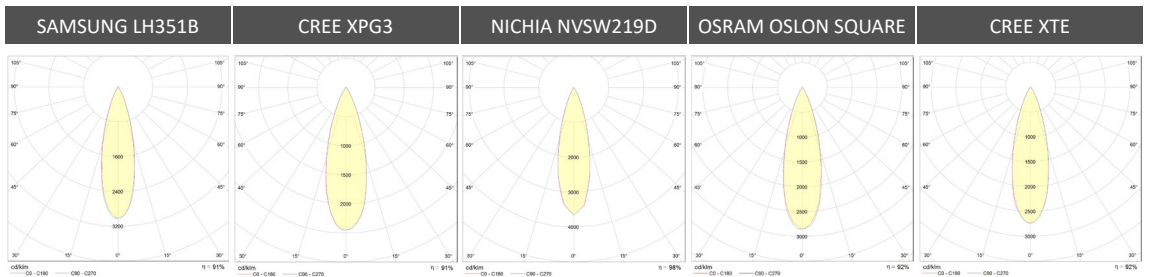
✓ **3535 High-Power**



MADE IN TÜRKİYE

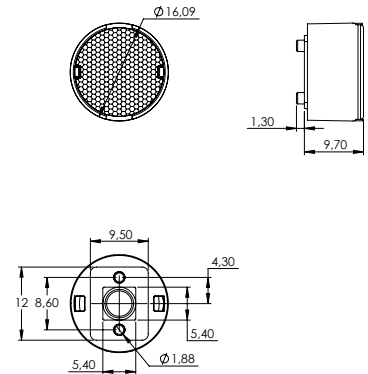
PRODUCT IMAGES MAY DIFFER

PHOTOMETRIC DATA



TECHNICAL SPECIFICATIONS

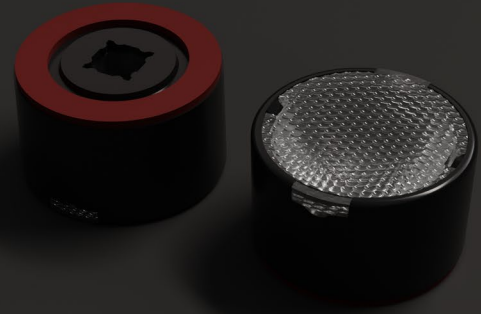
Product Code	PM030-HI99-PIH016
Dimension (mm) D x H	D16 x 9,7
Material	PMMA - ABS
Fastening	Pin - Glue
Beam Angle	30°
Type	1 in 1
Optical Efficiency	%93
Box Size (mm) W x L x H	130X130X125
Box Weight	0,6 Kg
Box Quantity	330 pcs
Rohs Compliant	Yes
LED Packages	3030, 3535, 5050



INSTRUCTIONS FOR USE & MAINTENANCE

Working Temperature : -40° C ~ +100° C
 Storage Temperature : -40° C ~ +100° C
 Please handle or install lenses with wearing gloves.
 Skin oils may damage lens or its optical characteristic.
 Never use any commercial cleaning solvents on lenses , like alcohol.
 If necessary, clean lenses with mild soap, water and soft cloth.

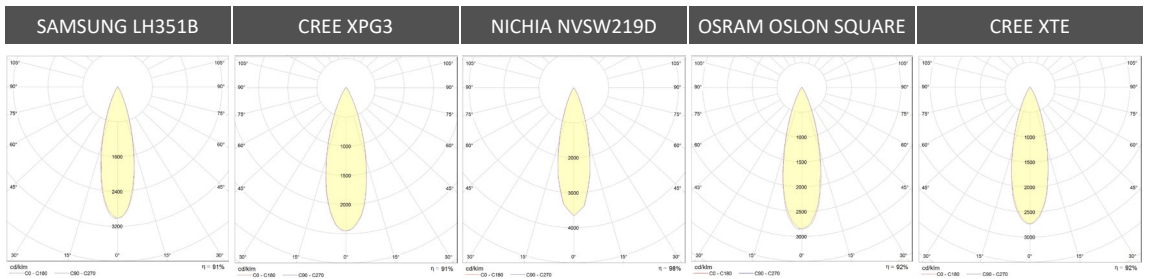
- ✓ 30°
- ✓ **Wallwasher**
- ✓ **%93 Efficiency**
- ✓ **16 mm Diameter**
- ✓ **3535 High-Power**



MADE IN TÜRKİYE

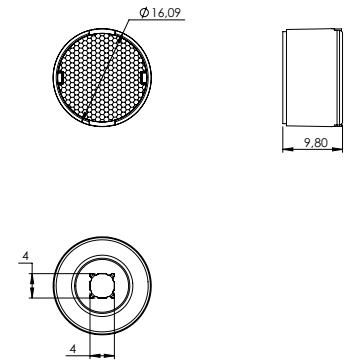
PRODUCT IMAGES MAY DIFFER

PHOTOMETRIC DATA



TECHNICAL SPECIFICATIONS

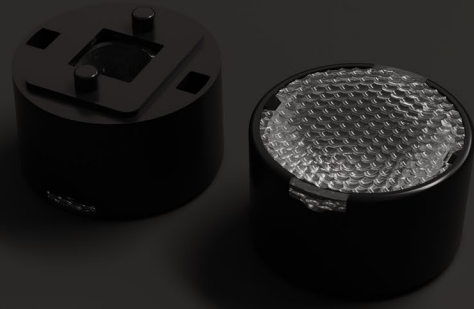
Product Code	PM030-HI99-TAH016
Dimension (mm) D x H	D16 x 9,8
Material	PMMA - ABS
Fastening	Tape
Beam Angle	30°
Type	1 in 1
Optical Efficiency	%93
Box Size (mm) W x L x H	130X130X125
Box Weight	0,6 Kg
Box Quantity	408 pcs
Rohs Complaint	Yes
LED Packages	3030, 3535



INSTRUCTIONS FOR USE & MAINTENANCE

Working Temperature : -40° C ~ +100° C
 Storage Temperature : -40° C ~ +100° C
 Please handle or install lenses with wearing gloves.
 Skin oils may damage lens or its optical characteristic.
 Never use any commercial cleaning solvents on lenses , like alcohol.
 If necessary, clean lenses with mild soap, water and soft cloth.

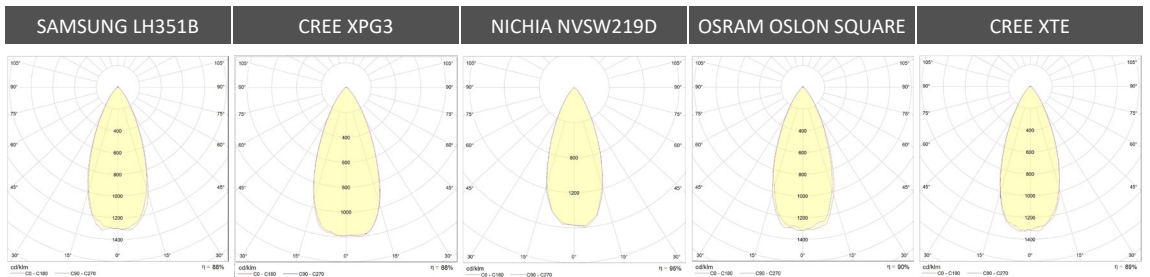
- ✓ 45°
- ✓ **Wallwasher**
- ✓ **%93 Efficiency**
- ✓ **16 mm Diameter**
- ✓ **3535 High-Power**



MADE IN TÜRKİYE

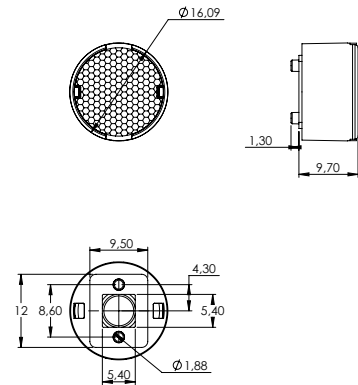
PRODUCT IMAGES MAY DIFFER

PHOTOMETRIC DATA



TECHNICAL SPECIFICATIONS

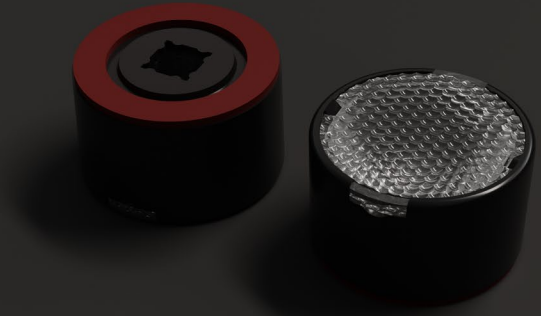
Product Code	PM045-HI99-PIH016
Dimension (mm) D x H	D16 x 9,7
Material	PMMA - ABS
Fastening	Pin - Glue
Beam Angle	45°
Type	1 in 1
Optical Efficiency	%93
Box Size (mm) W x L x H	130X130X125
Box Weight	0,6 Kg
Box Quantity	330 pcs
Rohs Compliant	Yes
LED Packages	3030, 3535, 5050



INSTRUCTIONS FOR USE & MAINTENANCE

Working Temperature : -40° C ~ +100° C
 Storage Temperature : -40° C ~ +100° C
 Please handle or install lenses with wearing gloves.
 Skin oils may damage lens or its optical characteristic.
 Never use any commercial cleaning solvents on lenses , like alcohol.
 If necessary, clean lenses wiht mild soap, water and soft cloth.

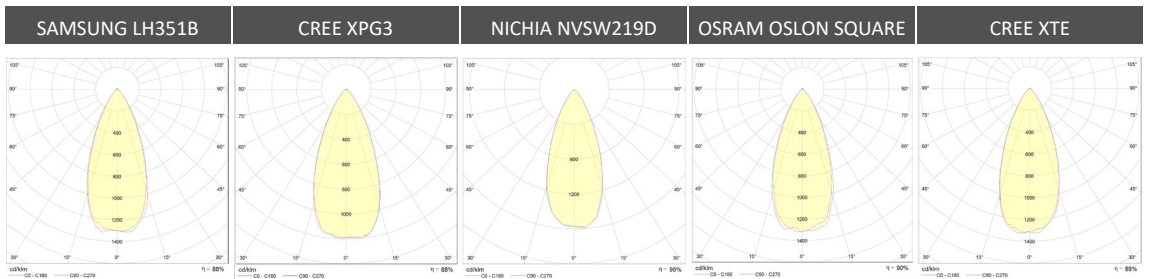
- ✓ 45°
- ✓ **Wallwasher**
- ✓ **%93 Efficiency**
- ✓ **16 mm Diameter**
- ✓ **3535 High-Power**



MADE IN TÜRKİYE

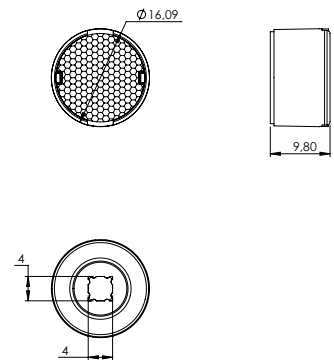
PRODUCT IMAGES MAY DIFFER

PHOTOMETRIC DATA



TECHNICAL SPECIFICATIONS

Product Code	PM045-HI99-TAH016
Dimension (mm) D x H	D16 x 9,8
Material	PMMA - ABS
Fastening	Tape
Beam Angle	45°
Type	1 in 1
Optical Efficiency	%93
Box Size (mm) W x L x H	130X130X125
Box Weight	0,6 Kg
Box Quantity	408 pcs
Rohs Complaint	Yes
LED Packages	3030, 3535



INSTRUCTIONS FOR USE & MAINTENANCE

Working Temperature : -40° C ~ +100° C
 Storage Temperature : -40° C ~ +100° C
 Please handle or install lenses with wearing gloves.
 Skin oils may damage lens or its optical characteristic.
 Never use any commercial cleaning solvents on lenses , like alcohol.
 If necessary, clean lenses with mild soap, water and soft cloth.

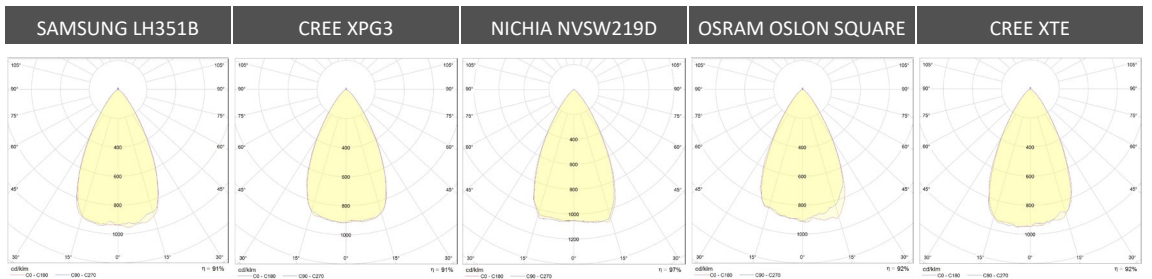
- ✓ 60°
- ✓ **Wallwasher**
- ✓ **%93 Efficiency**
- ✓ **16 mm Diameter**
- ✓ **3535 High-Power**



MADE IN TÜRKİYE

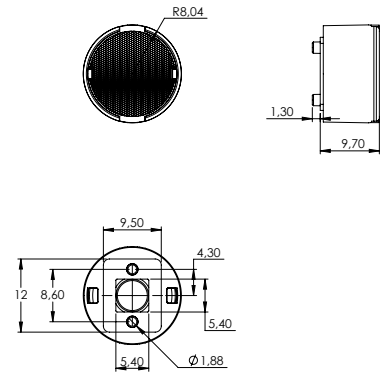
PRODUCT IMAGES MAY DIFFER

PHOTOMETRIC DATA



TECHNICAL SPECIFICATIONS

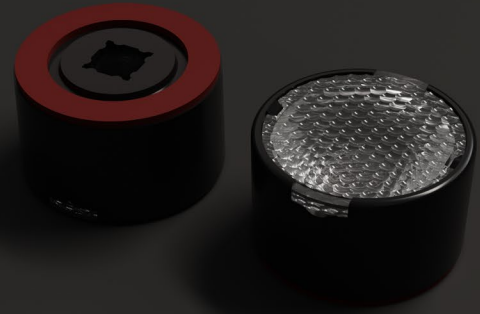
Product Code	PM060-HI99-PIH016
Dimension (mm) D x H	D16 x 9,7
Material	PMMA - ABS
Fastening	Pin - Glue
Beam Angle	60°
Type	1 in 1
Optical Efficiency	%93
Box Size (mm) W x L x H	130X130X125
Box Weight	0,6 Kg
Box Quantity	330 pcs
Rohs Compliant	Yes
LED Packages	3030, 3535, 5050



INSTRUCTIONS FOR USE & MAINTENANCE

Working Temperature : -40° C ~ +100° C
 Storage Temperature : -40° C ~ +100° C
 Please handle or install lenses with wearing gloves.
 Skin oils may damage lens or its optical characteristic.
 Never use any commercial cleaning solvents on lenses , like alcohol.
 If necessary, clean lenses with mild soap, water and soft cloth.

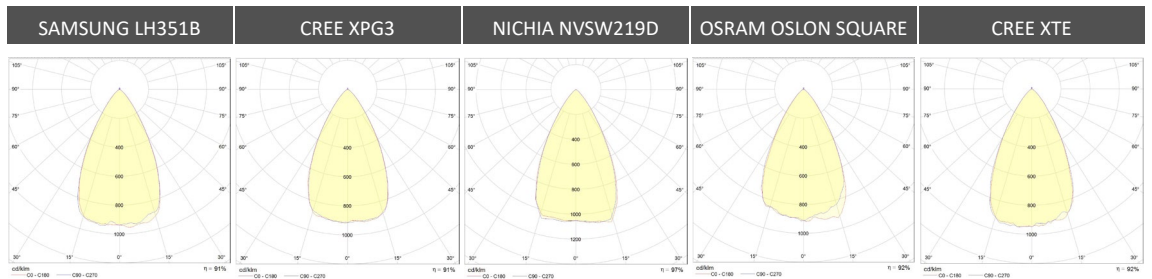
- ✓ 60°
- ✓ **Wallwasher**
- ✓ **%93 Efficiency**
- ✓ **16 mm Diameter**
- ✓ **3535 High-Power**



MADE IN TÜRKİYE

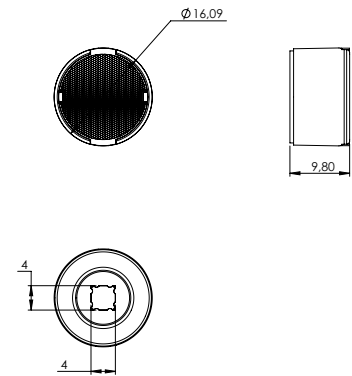
PRODUCT IMAGES MAY DIFFER

PHOTOMETRIC DATA



TECHNICAL SPECIFICATIONS

Product Code	PM060-HI99-TAH016
Dimension (mm) D x H	D16 x 9,8
Material	PMMA - ABS
Fastening	Tape
Beam Angle	60°
Type	1 in 1
Optical Efficiency	%93
Box Size (mm) W x L x H	130X130X125
Box Weight	0,6 Kg
Box Quantity	408 pcs
Rohs Complaint	Yes
LED Packages	3030, 3535



INSTRUCTIONS FOR USE & MAINTENANCE

Working Temperature : -40° C ~ +100° C
 Storage Temperature : -40° C ~ +100° C
 Please handle or install lenses with wearing gloves.
 Skin oils may damage lens or its optical characteristic.
 Never use any commercial cleaning solvents on lenses , like alcohol.
 If necessary, clean lenses with mild soap, water and soft cloth.

✓ 15° 30° 45° 60°

✓ **Wallwasher**

✓ **%93 Efficiency**

✓ **16 mm Diameter**

✓ **3535 High-Power**



MADE IN TÜRKİYE

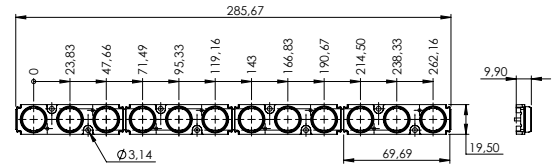
PRODUCT IMAGES MAY DIFFER

HOLDER TECHNICAL SPECIFICATIONS

Product Code	PC-016-112-BM
Dimension (mm) W x L x H	20x286x10
Material	Pmma - Pc
Fastening	Screw
Beam Angle	15°, 30°, 45°, 60°
Type	12 in 1
Optical Efficiency	%93
Rohs Complaint	Yes

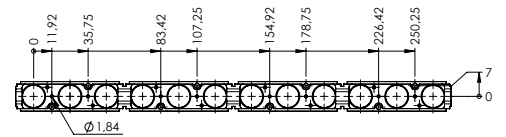
LENS TECHNICAL SPECIFICATIONS

15 Degrees	PM015-MI99-NNH016
30 Degrees	PM030-HI99-NNH016
45 Degrees	PM045-HI99-NNH016
60 Degrees	PM060-HI99-NNH016



PACKING SPECIFICATIONS

Box Size (mm) W x L x H	0x0x0
Box Weight	Kg
Box Quantity	pcs



INSTRUCTIONS FOR USE & MAINTENANCE

Working Temperature : -40° C ~ +100° C
 Storage Temperature : -40° C ~ +100° C
 Please handle or install lenses with wearing gloves.
 Skin oils may damage lens or its optical characteristic.
 Never use any commercial cleaning solvents on lenses , like alcohol.
 If necessary, clean lenses wiht mild soap, water and soft cloth.

✓ 9°

✓ Large Area Lighting

✓ %90 Efficiency

✓ 34 mm Diameter

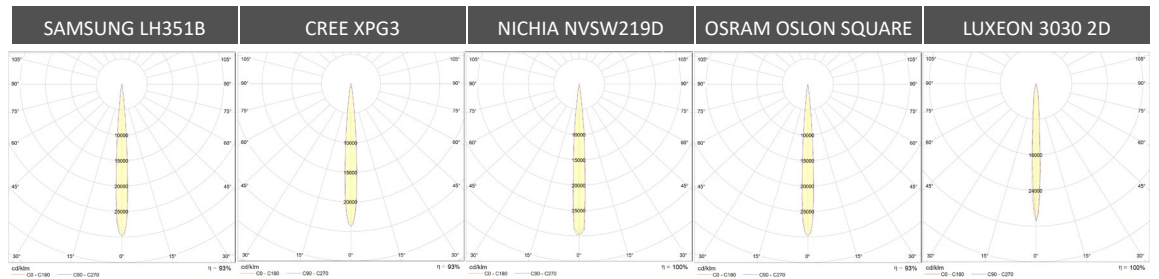
✓ 3535 High-Power



MADE IN TÜRKİYE

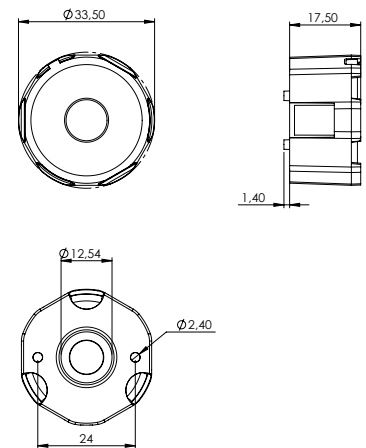
PRODUCT IMAGES MAY DIFFER

PHOTOMETRIC DATA



TECHNICAL SPECIFICATIONS

Product Code	PM009-HI99-PIH034
Dimension (mm) W x L x H	D34x17,5
Material	PMMA - PC
Fastening	Pin - Glue/Tape
Beam Angle	9°
Type	1 in 1
Optical Efficiency	%90
Box Size (mm) W x L x H	130X130X125
Box Weight	677 g
Box Quantity	72 pcs
Rohs Compliant	Yes

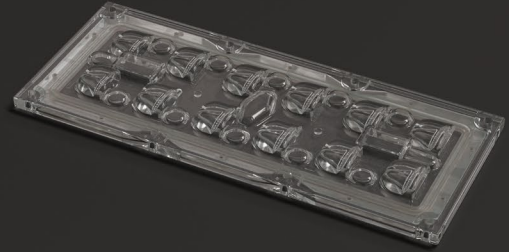


INSTRUCTIONS FOR USE & MAINTENANCE

Working Temperature : -40° C ~ +100° C
 Storage Temperature : -40° C ~ +100° C
 Please handle or install lenses with wearing gloves.
 Skin oils may damage lens or its optical characteristic.
 Never use any commercial cleaning solvents on lenses , like alcohol.
 If necessary, clean lenses with mild soap, water and soft cloth.



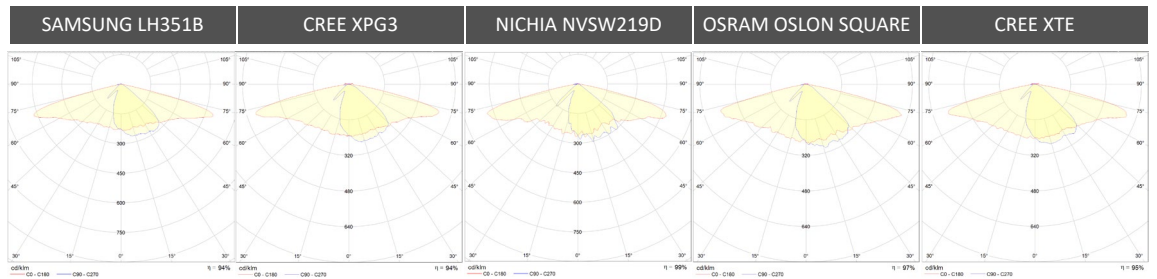
- ✓ **Medium , Type II**
- ✓ **Street Lighting**
- ✓ **%93 Efficiency**
- ✓ **173* mm**
- ✓ **3535 High-Power**



MADE IN TÜRKİYE

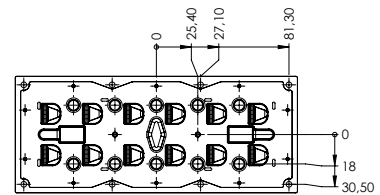
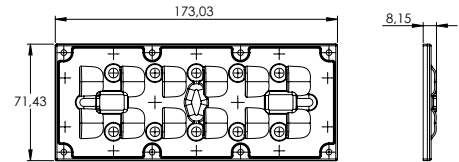
PRODUCT IMAGES MAY DIFFER

PHOTOMETRIC DATA



TECHNICAL SPECIFICATIONS

Product Code	PMM2/M3-HI26-SCIP
Dimension (mm) W x L x H	173x72x8,24
Material	PMMA
Fastening	Screw
Beam Angle	Medium, Type II
Type	12 in 1
Optical Efficiency	%93
Box Size (mm) W x L x H	570X190X160
Box Weight	7,5 Kg
Box Quantity	150 pcs
Rohs Compliant	Yes



INSTRUCTIONS FOR USE & MAINTENANCE

Working Temperature : -40° C ~ +100° C
 Storage Temperature : -40° C ~ +100° C
 Please handle or install lenses with wearing gloves.
 Skin oils may damage lens or its optical characteristic.
 Never use any commercial cleaning solvents on lenses , like alcohol.
 If necessary, clean lenses with mild soap, water and soft cloth.



✓ 90°

✓ High Bay Lighting

✓ %93 Efficiency

✓ 173*71 mm

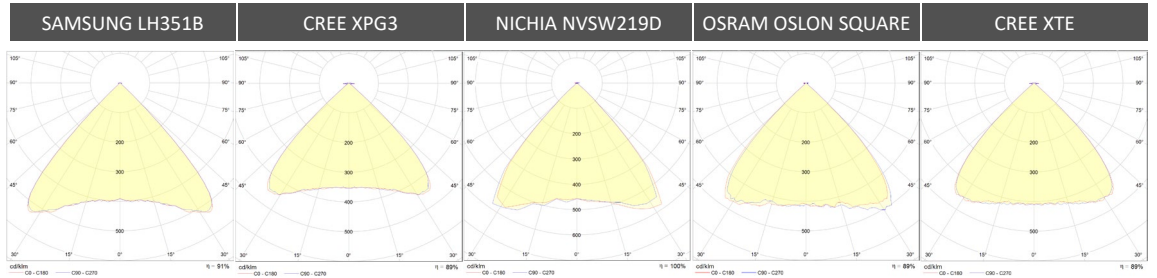
✓ 3535 High-Power



MADE IN TÜRKİYE

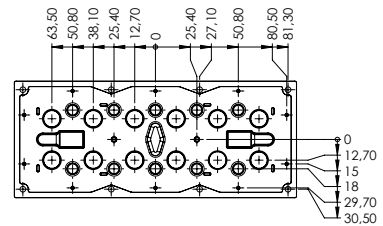
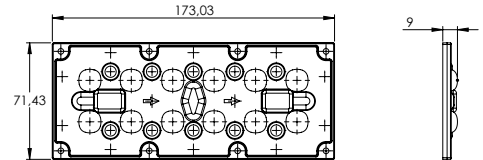
PRODUCT IMAGES MAY DIFFER

PHOTOMETRIC DATA



TECHNICAL SPECIFICATIONS

Product Code	PM090-HI26-SCIP
Dimension (mm) W x L x H	173x72x9
Material	PMMA
Fastening	Screw
Beam Angle	90°
Type	12 in 1
Optical Efficiency	%93
Box Size (mm) W x L x H	570X190X160
Box Weight	7,6 Kg
Box Quantity	156 pcs
Rohs Compliant	Yes



INSTRUCTIONS FOR USE & MAINTENANCE

Working Temperature : -40° C ~ +100° C
 Storage Temperature : -40° C ~ +100° C
 Please handle or install lenses with wearing gloves.
 Skin oils may damage lens or its optical characteristic.
 Never use any commercial cleaning solvents on lenses , like alcohol.
 If necessary, clean lenses wiht mild soap, water and soft cloth.



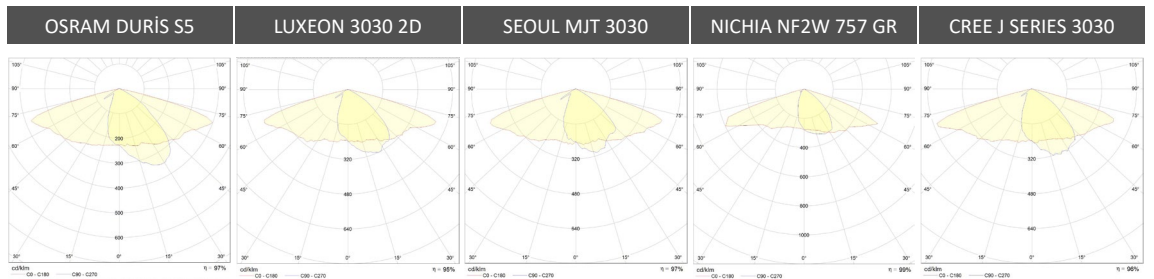
- ✓ **Medium , Type II**
- ✓ **Street Lighting**
- ✓ **%93 Efficiency**
- ✓ **50*50 mm**
- ✓ **3030 Mid-Power**



MADE IN TÜRKİYE

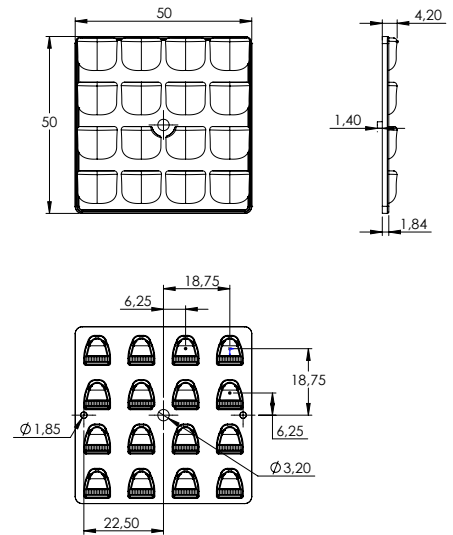
PRODUCT IMAGES MAY DIFFER

PHOTOMETRIC DATA



TECHNICAL SPECIFICATIONS

Product Code	PMM2/M3-MI44-SCH
Dimension (mm) W x L x H	50x50x4,2
Material	PMMA
Fastening	Screw
Beam Angle	Medium, Type II
Type	16 in 1
Optical Efficiency	%93
Box Size (mm) W x L x H	370x300x225
Box Weight	7,7 Kg
Box Quantity	960 pcs
Rohs Compliant	Yes



INSTRUCTIONS FOR USE & MAINTENANCE

Working Temperature : -40° C ~ +100° C
 Storage Temperature : -40° C ~ +100° C
 Please handle or install lenses with wearing gloves.
 Skin oils may damage lens or its optical characteristic.
 Never use any commercial cleaning solvents on lenses , like alcohol.
 If necessary, clean lenses with mild soap, water and soft cloth.

✓ 90°

✓ High Bay Lighting

✓ %93 Efficiency

✓ 50*50 mm

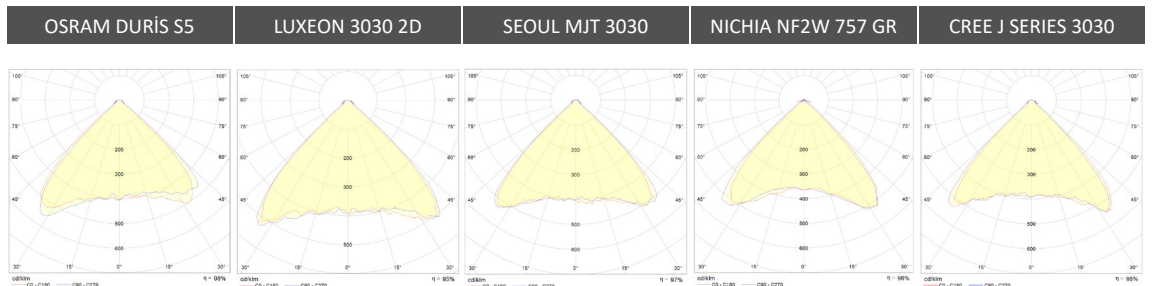
✓ 3030 Mid-Power



MADE IN TÜRKİYE

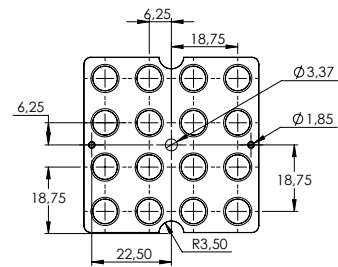
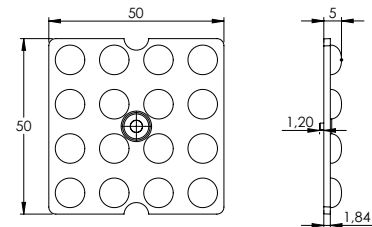
PRODUCT IMAGES MAY DIFFER

PHOTOMETRIC DATA



TECHNICAL SPECIFICATIONS

Product Code	PM090-MI44-SCH
Dimension (mm) W x L x H	50x50x5
Material	PMMA
Fastening	Screw
Beam Angle	90°
Type	16 in 1
Optical Efficiency	%93
Box Size (mm) W x L x H	370x300x225
Box Weight	6,75 Kg
Box Quantity	900 pcs
Rohs Compliant	Yes



INSTRUCTIONS FOR USE & MAINTENANCE

Working Temperature : -40° C ~ +100° C
 Storage Temperature : -40° C ~ +100° C
 Please handle or install lenses with wearing gloves.
 Skin oils may damage lens or its optical characteristic.
 Never use any commercial cleaning solvents on lenses , like alcohol.
 If necessary, clean lenses with mild soap, water and soft cloth.

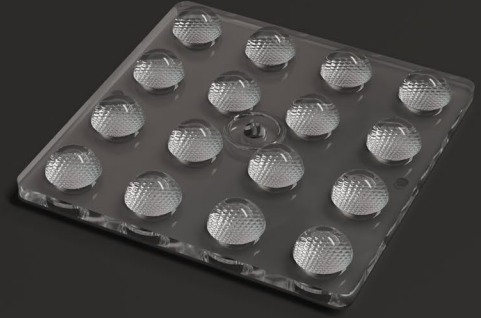
✓ 60°

✓ **High Bay Lighting**

✓ **%93 Efficiency**

✓ **50*50 mm**

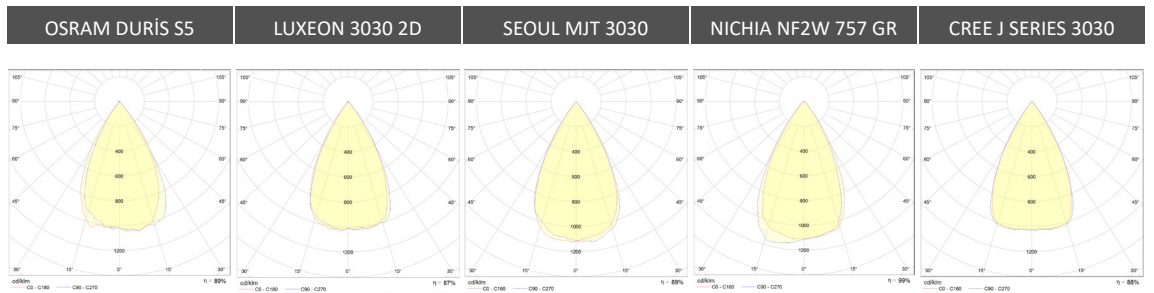
✓ **3030 Mid-Power**



MADE IN TÜRKİYE

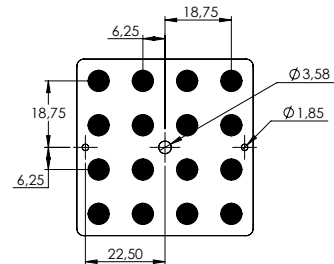
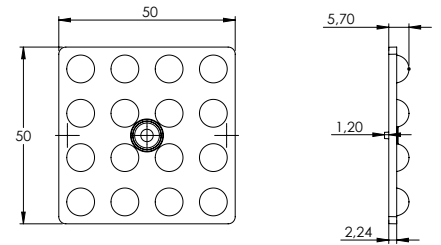
PRODUCT IMAGES MAY DIFFER

PHOTOMETRIC DATA



TECHNICAL SPECIFICATIONS

Product Code	PM060-MI44-SCH
Dimension (mm) W x L x H	50x50x5,7
Material	PMMA
Fastening	Screw
Beam Angle	60°
Type	16 in 1
Optical Efficiency	%93
Box Size (mm) W x L x H	370x300x225
Box Weight	8 Kg
Box Quantity	810 pcs
Rohs Compliant	Yes



INSTRUCTIONS FOR USE & MAINTENANCE

Working Temperature : -40° C ~ +100° C
 Storage Temperature : -40° C ~ +100° C
 Please handle or install lenses with wearing gloves.
 Skin oils may damage lens or its optical characteristic.
 Never use any commercial cleaning solvents on lenses , like alcohol.
 If necessary, clean lenses with mild soap, water and soft cloth.

✓ 40°

✓ High Bay Lighting

✓ %93 Efficiency

✓ 50*50 mm

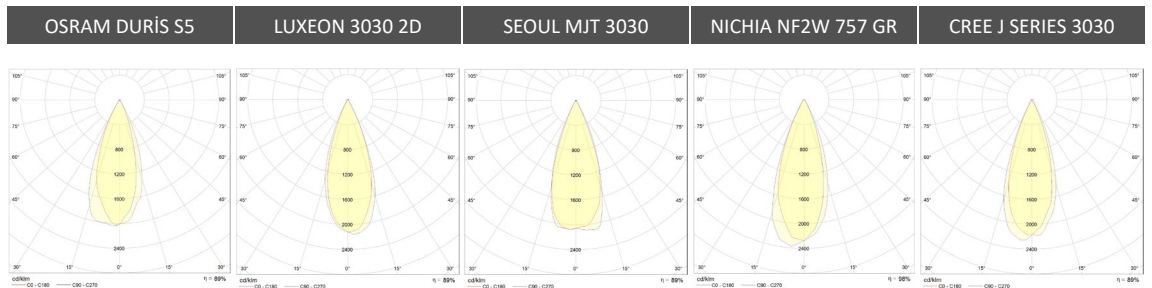
✓ 3030 Mid-Power



MADE IN TÜRKİYE

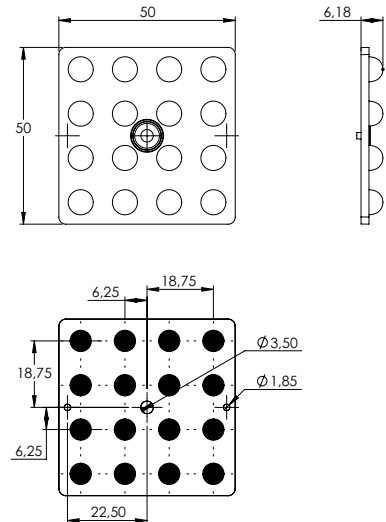
PRODUCT IMAGES MAY DIFFER

PHOTOMETRIC DATA



TECHNICAL SPECIFICATIONS

Product Code	PM040-MI44-SCH099
Dimension (mm) W x L x H	50x50x6,1
Material	PMMA
Fastening	Screw
Beam Angle	40°
Type	16 in 1
Optical Efficiency	%93
Box Size (mm) W x L x H	370x300x225
Box Weight	8 Kg
Box Quantity	810 pcs
Rohs Compliant	Yes



INSTRUCTIONS FOR USE & MAINTENANCE

Working Temperature : -40° C ~ +100° C
 Storage Temperature : -40° C ~ +100° C
 Please handle or install lenses with wearing gloves.
 Skin oils may damage lens or its optical characteristic.
 Never use any commercial cleaning solvents on lenses , like alcohol.
 If necessary, clean lenses with mild soap, water and soft cloth.

✓ 18°

✓ **Large Area Lighting**

✓ **%93 Efficiency**

✓ **50*50 mm**

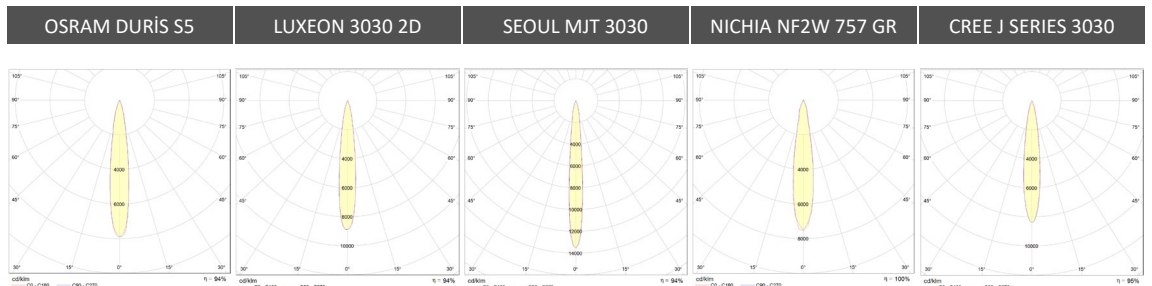
✓ **3030 Mid-Power**



MADE IN TÜRKİYE

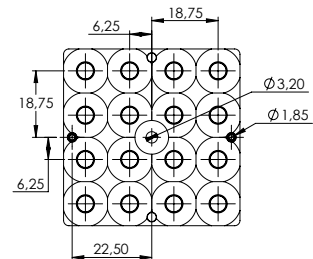
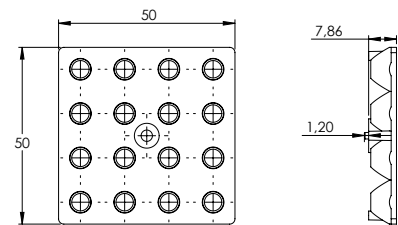
PRODUCT IMAGES MAY DIFFER

PHOTOMETRIC DATA



TECHNICAL SPECIFICATIONS

Product Code	PM018-MI44-SCH
Dimension (mm) W x L x H	50x50x7,9
Material	PMMA
Fastening	Screw
Beam Angle	18°
Type	16 in 1
Optical Efficiency	%93
Box Size (mm) W x L x H	370x300x225
Box Weight	7,7 Kg
Box Quantity	600 pcs
Rohs Compliant	Yes



INSTRUCTIONS FOR USE & MAINTENANCE

Working Temperature : $-40^\circ\text{C} \sim +100^\circ\text{C}$
 Storage Temperature : $-40^\circ\text{C} \sim +100^\circ\text{C}$
 Please handle or install lenses with wearing gloves.
 Skin oils may damage lens or its optical characteristic.
 Never use any commercial cleaning solvents on lenses , like alcohol.
 If necessary, clean lenses with mild soap, water and soft cloth.

✓ 90°

✓ High Bay Lighting

✓ %93 Efficiency

✓ 50*50 mm

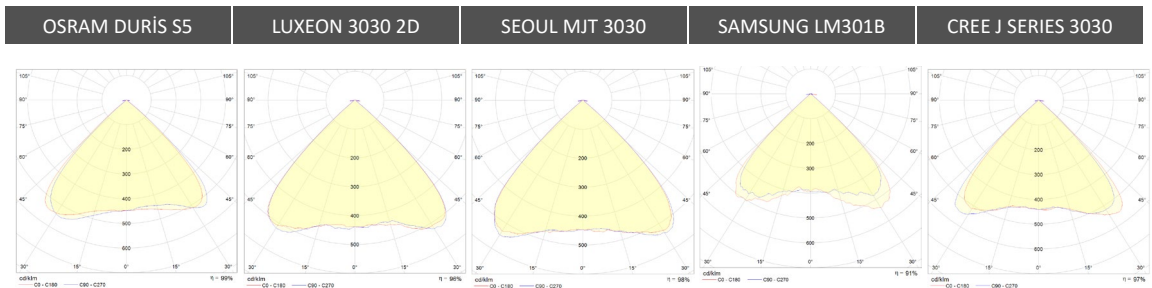
✓ 3030 Mid-Power



MADE IN TÜRKİYE

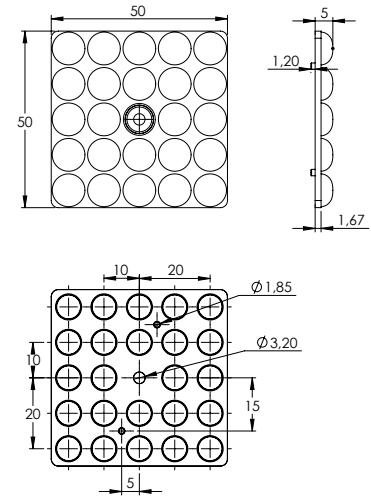
PRODUCT IMAGES MAY DIFFER

PHOTOMETRIC DATA



TECHNICAL SPECIFICATIONS

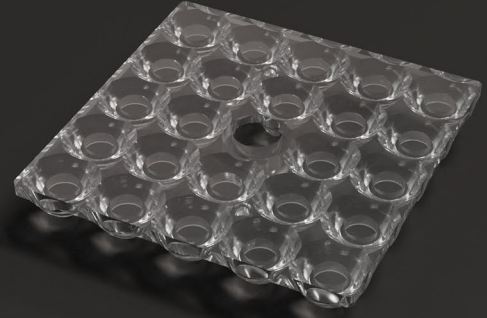
Product Code	PM090-MI124-SCH
Dimension (mm) W x L x H	50x50x5
Material	PMMA
Fastening	Screw
Beam Angle	90°
Type	24 in 1
Optical Efficiency	%93
Box Size (mm) W x L x H	370x300x225
Box Weight	8,5 Kg
Box Quantity	900 pcs
Rohs Compliant	Yes



INSTRUCTIONS FOR USE & MAINTENANCE

Working Temperature : -40° C ~ +100° C
 Storage Temperature : -40° C ~ +100° C
 Please handle or install lenses with wearing gloves.
 Skin oils may damage lens or its optical characteristic.
 Never use any commercial cleaning solvents on lenses , like alcohol.
 If necessary, clean lenses with mild soap, water and soft cloth.

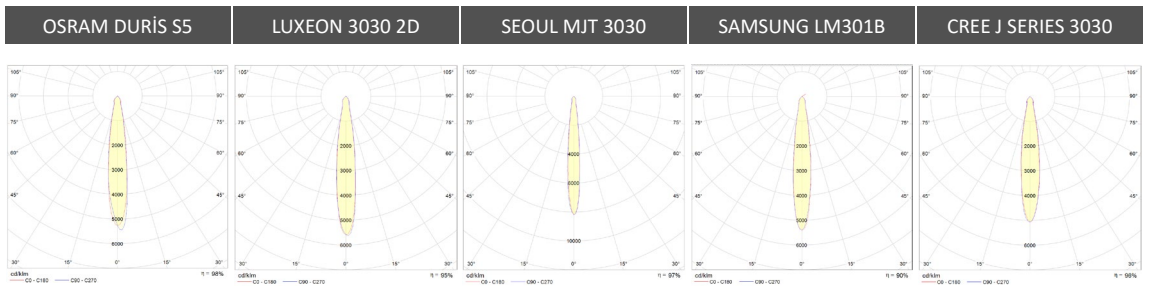
- ✓ 18°
- ✓ **Large Area Lighting**
- ✓ **%93 Efficiency**
- ✓ **50*50 mm**
- ✓ **3030 Mid-Power**



MADE IN TÜRKİYE

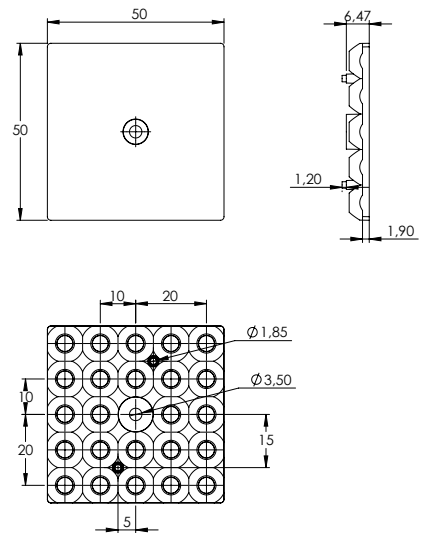
PRODUCT IMAGES MAY DIFFER

PHOTOMETRIC DATA



TECHNICAL SPECIFICATIONS


Product Code	PM018-MI124-SCH
Dimension (mm) W x L x H	50x50x6,47
Material	PMMA
Fastening	Screw
Beam Angle	18°
Type	24 in 1
Optical Efficiency	%93
Box Size (mm) W x L x H	370x300x225
Box Weight	8,9 Kg
Box Quantity	720 pcs
Rohs Compliant	Yes





INSTRUCTIONS FOR USE & MAINTENANCE

Working Temperature : -40° C ~ +100° C
 Storage Temperature : -40° C ~ +100° C
 Please handle or install lenses with wearing gloves.
 Skin oils may damage lens or its optical characteristic.
 Never use any commercial cleaning solvents on lenses , like alcohol.
 If necessary, clean lenses wiht mild soap, water and soft cloth.



Ostim OSB Mahallesi 1211. Cad. No: 14 06370 
Ostim/Ankara

+90 312 354 92 71 (Pbx) 

+90 312 354 54 81 

www.evooptic.com.tr 